

# GEBR. RUBERG

Maschinenfabrik

POWERFUL  
AND VERSATILE



**RUBERG** *Universal Precleaner*  
Series RUV

# RUBERG *Universal Precleaner*

With the objective of improving the efficiency of precleaning grain and leguminous plants as well as sorting granulate-type products of other industrial sectors we developed the brand new **RUBERG *Universal Precleaner*** Series RUJ. Its outstanding features are higher flexibility and increased throughput capacities.

Products are directed to the respective sieve sections by way of combined change-over flaps. Broad passages yield excellent results, in particular for humid products with a high content of foreign matters.

Manually adjustable distribution flaps enable the **RUBERG *Universal Precleaner*** to win up to 4 fractions of the raw material. Electropneumatically controlled flap drives boost the machine's degree of automation.

A guided aspiration of the inlet and outlet cascades in exhaust air system improves products' cleanliness.

In addition our recirculating vertical air sifter offer the well-known advantages of reduced raw air quantities, making possible to work with less exhaust air and filter technology.



*Electropneumatic flap adjustment*

## Design Variants

### **RUBERG *Universal Precleaner*:**

- Variant 1 Sieving unit with vertical air sifter in exhaust air mode
- Variant 2 Sieving unit with vertical air sifter and vertical outlet sifter in exhaust air mode
- Variant 3 Sieving unit with vertical air sifter in recirculating air mode
- Variant 4 Sieving unit with vertical air sifter in recirculating air mode and vertical outlet sifter in exhaust air mode

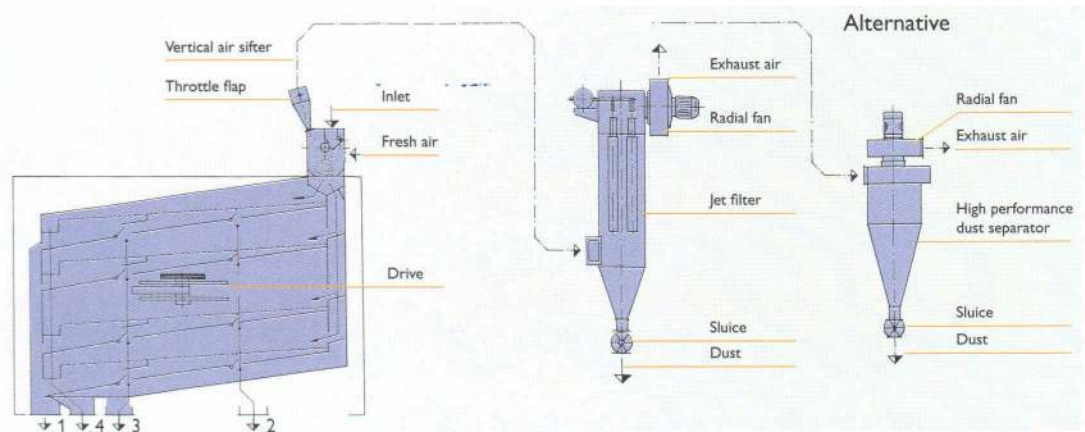
All variants are characterized by the perfectly balanced combination of air compartment and sieving unit, thus coming up to most sophisticated expectations, e.g. for precleaning grain, at throughput capacities of 100 up to 600 t/h. Flexible setting possibilities provide best results for fine cleaning, at throughput capacities of 35 up to 400 t/h.

# Design Variants

## Variant 1

Sieving unit with vertical air sifter in exhaust air system

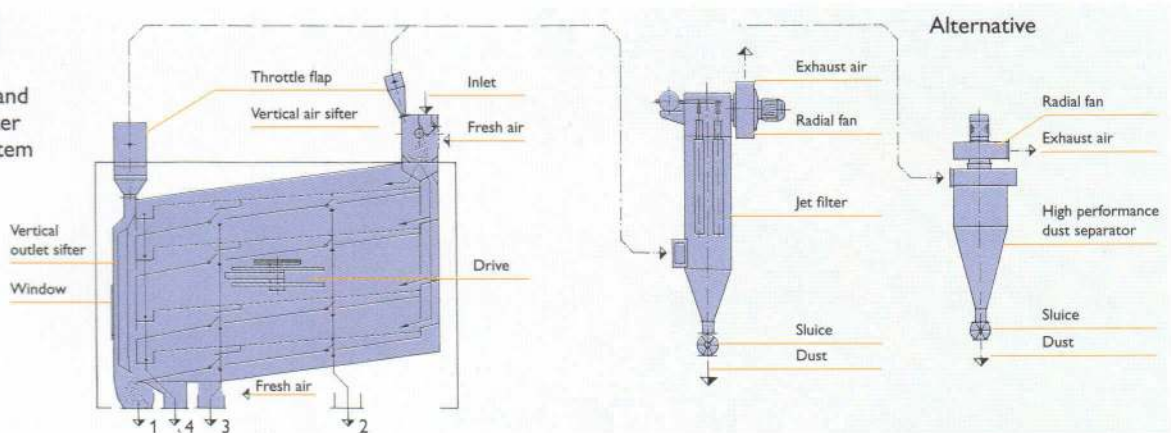
- 1 = Good grain
- 2 = Fine grain 1
- 3 = Fine grain 2
- 4 = Coarse grain



## Variant 2

Sieving unit with vertical air sifter and vertical outlet sifter in exhaust air system

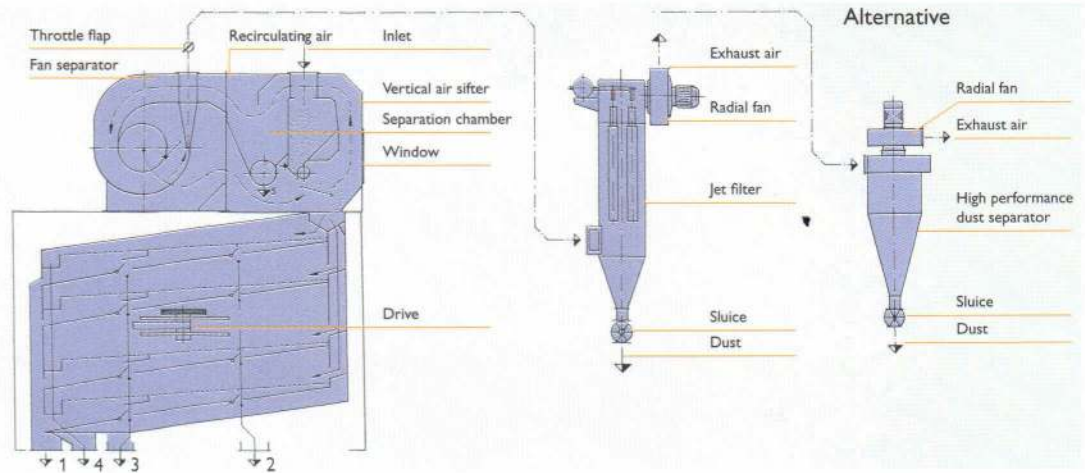
- 1 = Good grain
- 2 = Fine grain 1
- 3 = Fine grain 2
- 4 = Coarse grain



## Variant 3

Sieving unit with vertical air sifter in recirculating air system

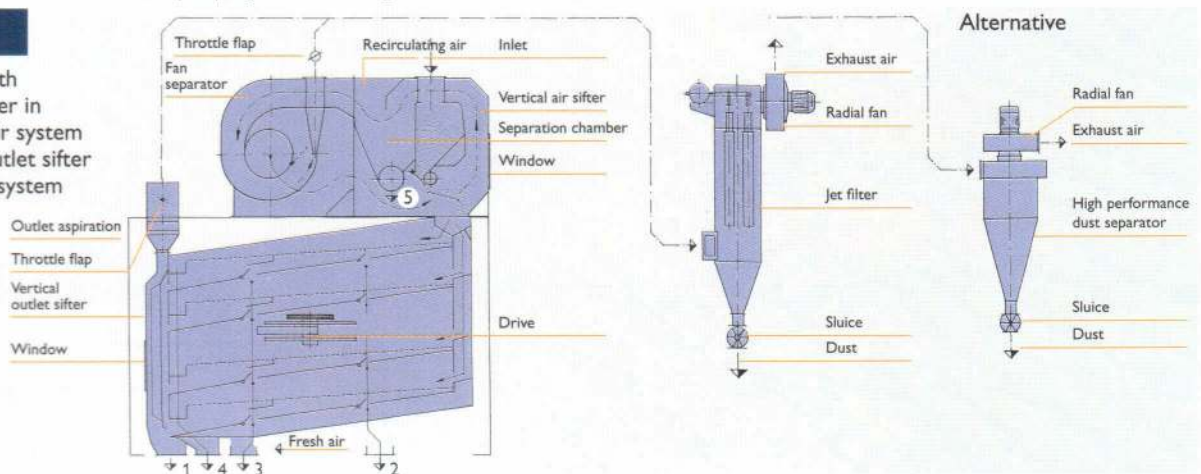
- 1 = Good grain
- 2 = Fine grain 1
- 3 = Fine grain 2
- 4 = Coarse grain
- 5 = Light waste



## Variant 4

Sieving unit with vertical air sifter in recirculating air system and vertical outlet sifter in exhaust air system

- 1 = Good grain
- 2 = Fine grain 1
- 3 = Fine grain 2
- 4 = Coarse grain
- 5 = Light waste



# Performance Data and Dimensions

## Performance Data when using 3 Coarse Grain Sieves

Type	Performance in t/h									Sieve Surfaces in m <sup>2</sup>	
	Rye, wheat $\gamma = 0,75$ max. 18 %	Winter barley $\gamma = 0,65$ max. 18 %	Brewing barley $\gamma = 0,65$ max. 18 %	Rape $\gamma = 0,60$ max. 14 %	Peas, beans $\gamma = 0,70$ max. 18 %	Maize, dry $\gamma = 0,75$ max. 15 %	Maize, wet $\gamma = 0,75$ max. 35 %	Sunflowers $\gamma = 0,40$ max. 16 %	Paddy $\gamma = 0,55$ max. 18 %	Coarse grain sieve surface m <sup>2</sup>	Total sieve surface m <sup>2</sup>
RUV 100	105	90	90	85	85	100	50	75	30	4,5	4,5
RUV 200	200	175	175	160	170	200	100	150	60	9,0	9,0
RUV 400	400	340	340	320	320	400	200	300	180	18,0	18,0
RUV 600	600	520	520	480	500	600	300	600	360	36,0	36,0

## Performance Data when using 2 Coarse Grain Sieves and 1 Fine Grain Sieve

Type	Performance in t/h									Sieve Surfaces in m <sup>2</sup>		
	Rye, wheat $\gamma = 0,75$ max. 18 %	Winter barley $\gamma = 0,65$ max. 18 %	Brewing barley $\gamma = 0,65$ max. 18 %	Rape $\gamma = 0,60$ max. 14 %	Peas, beans $\gamma = 0,70$ max. 18 %	Maize, dry $\gamma = 0,75$ max. 15 %	Maize, wet $\gamma = 0,75$ max. 35 %	Sunflowers $\gamma = 0,40$ max. 16 %	Paddy $\gamma = 0,55$ max. 18 %	Coarse grain sieve surface m <sup>2</sup>	Fine grain sieve surface m <sup>2</sup>	Total sieve surface m <sup>2</sup>
RUV 100	70	60	60	45	50	70	35	50	20	3,0	1,5	4,5
RUV 200	140	120	120	110	115	140	70	100	40	6,0	3,0	9,0
RUV 400	280	240	240	220	230	280	140	200	120	12,0	6,0	18,0
RUV 600	400	350	350	320	330	400	200	400	240	24,0	12,0	36,0

## Performance Data when using 1 Coarse Grain Sieve and 2 Fine Grain Sieves

Type	Performance in t/h									Sieve Surfaces in m <sup>2</sup>		
	Rye, wheat $\gamma = 0,75$ max. 18 %	Winter barley $\gamma = 0,65$ max. 18 %	Brewing barley $\gamma = 0,65$ max. 18 %	Rape $\gamma = 0,60$ max. 14 %	Peas, beans $\gamma = 0,70$ max. 18 %	Maize, dry $\gamma = 0,75$ max. 15 %	Maize, wet $\gamma = 0,75$ max. 35 %	Sunflowers $\gamma = 0,40$ max. 16 %	Paddy $\gamma = 0,55$ max. 18 %	Coarse grain sieve surface m <sup>2</sup>	Fine grain sieve surface m <sup>2</sup>	Total sieve surface m <sup>2</sup>
RUV 100	35	30	30	28	30	35	18	25	10	1,5	3,0	4,5
RUV 200	70	60	60	55	60	70	35	50	20	3,0	6,0	9,0
RUV 400	140	120	120	110	120	140	70	100	60	6,0	12,0	18,0
RUV 600	200	170	170	135	170	200	100	200	120	12,0	24,0	36,0

## External Dimensions of the Machines

Type	External dimensions of the exhaust air machine with vertical air sifter only			External dimensions of the exhaust air machine with vertical air sifter and vertical outlet sifter			External dimensions of the recirculating air machine with vertical air sifter and vertical outlet sifter		
	Length mm	Width mm	Height mm	Length mm	Width mm	Height mm	Length mm	Width mm	Height mm
RUV 100	3.440	1.960	2.500	3.750	1.960	2.500	3.750	2.220	2.400
RUV 200	3.700	1.960	3.010	4.020	1.960	3.010	4.020	2.290	3.260
RUV 400	3.830	2.070	4.150	4.140	2.070	4.150	4.140	2.260	4.200
RUV 600	4.000	2.070	4.440	4.300	2.070	4.440	4.300	2.260	4.490

**GEBR. RUBERG**  
Maschinenfabrik

Gebr. Ruberg GmbH & Co. KG  
P.O.B. 1149 · D-33035 Nieheim  
Christian-Ruberg-Straße · D-33039 Nieheim  
Phone +49(0)5274 - 98510-0 · Fax +49(0)5274 - 98510-50  
www.g-ruberg.com  
eMail: sales@g-ruberg.com